

Peak Emission Wavelength: 1550nm

The MTSM5115MT2-BK consists of a 1550nm high output infrared die in a PLCC-2 black plastic molded surface mount package. Custom package solutions and sorting are available.

FEATURES

- > High Output Power
- > Wide Beam Angle
- > High Reliability

APPLICATIONS

- > Optical Switches & Sensors
- > Fiber Optical Communication
- > Bar-code Reader



Absolute Maximum Ratings (Ta=25°C)

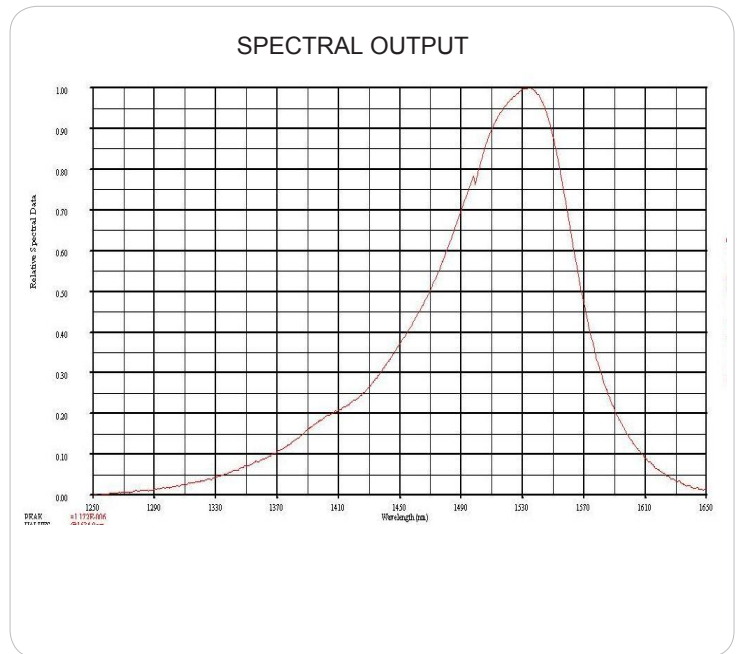
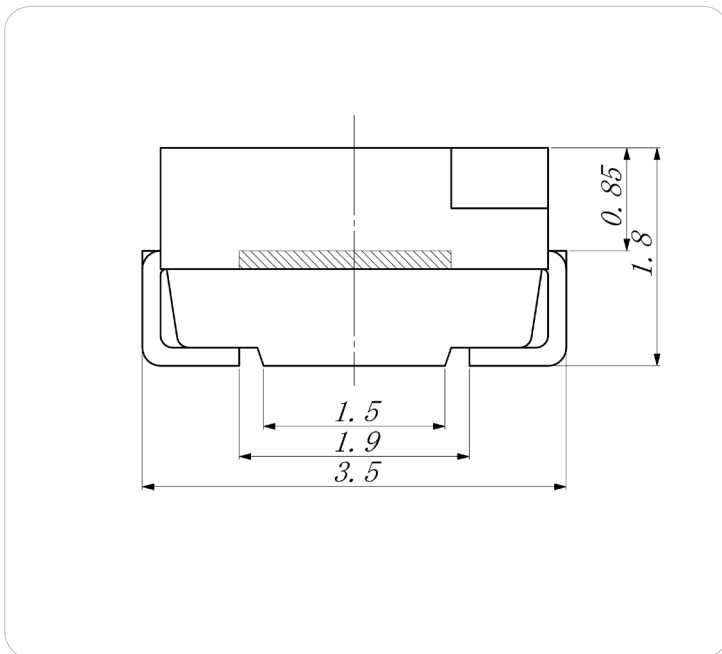
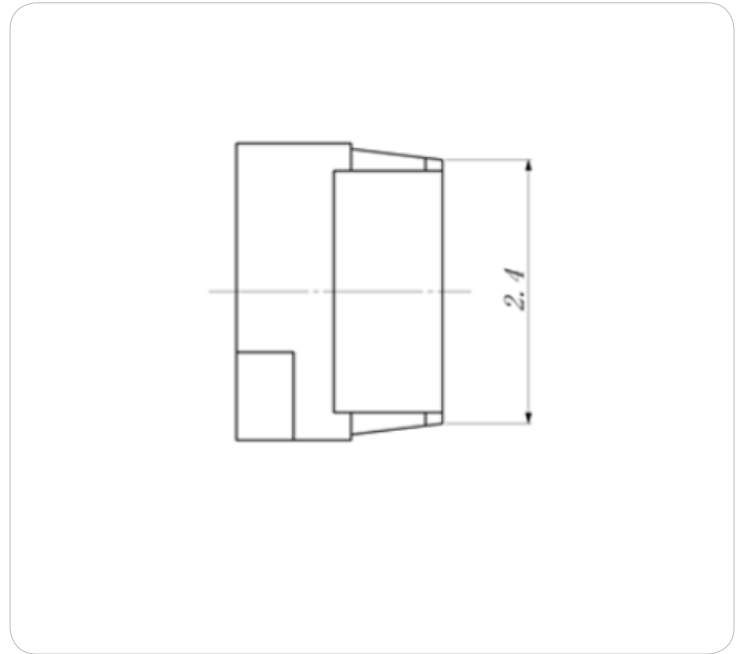
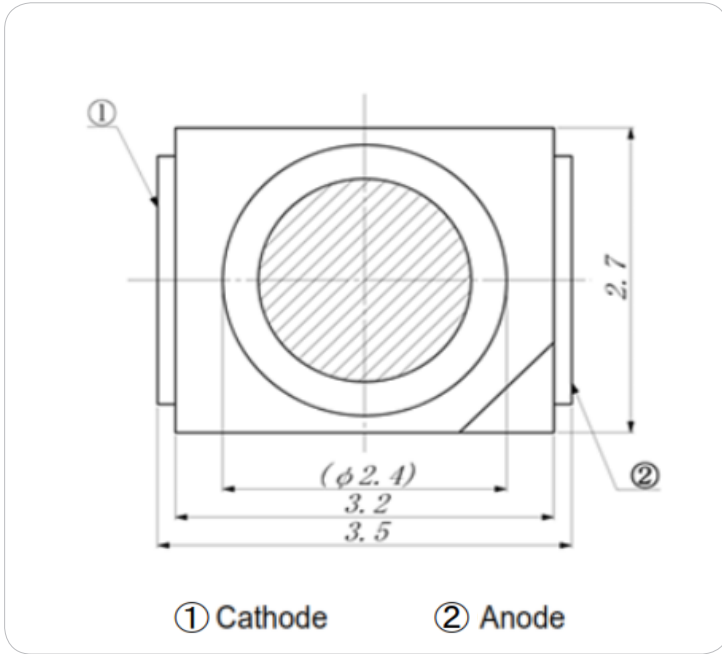


| ITEMS | SYMBOL | RATINGS | UNIT |
|-----------------------------|--------|------------|------|
| Forward Current (DC) | IF | 100 | mA |
| Forward Current (Pulse)*1 | IFP | 1 | A |
| Reverse Voltage | VR | 5 | V |
| Power Dissipation | PD | -- | mW |
| Operating Temperature Range | Topr | -20 ~ +80 | °C |
| Storage Temperature Range | Tstg | -30 ~ +100 | °C |
| Junction Temperature | Tj | 100 | °C |
| Lead Soldering Temperature | Tls | 260 | °C |

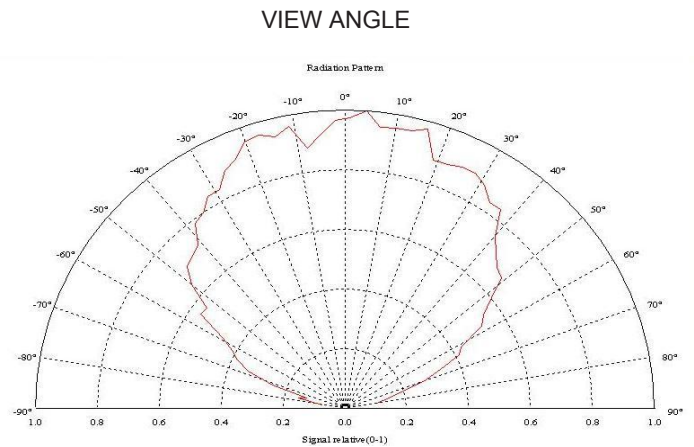
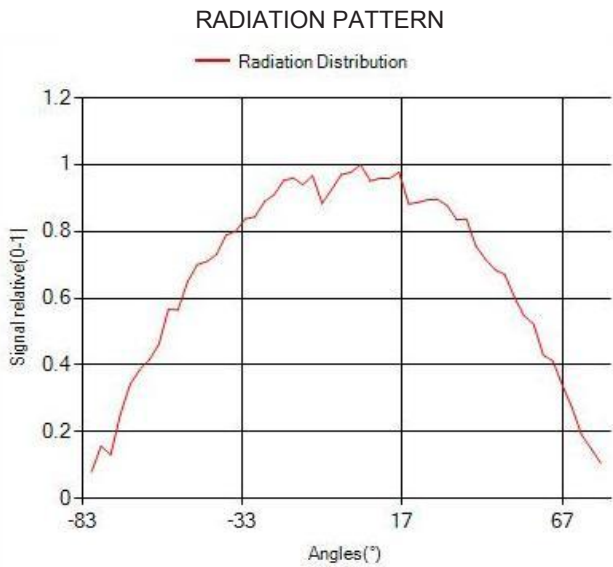
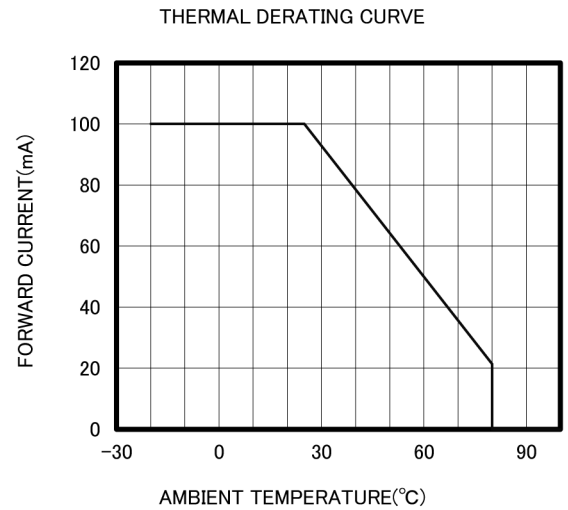
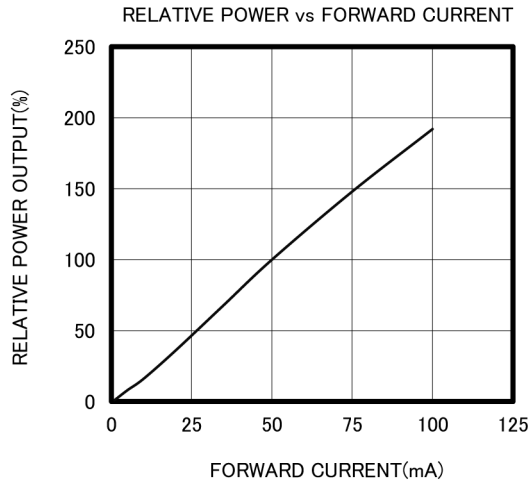
*1: Tw=10μsec, T=10msec.

Electrical & Optical Characteristics (Ta = 25°C)

| ITEMS | SYMBOL | CONDITIONS | MIN | TYP | MAX | UNIT |
|---------------------------|--------|------------|-----|------|-----|------|
| Power Output | PO | IF=20mA | -- | 1.1 | -- | mW |
| Power Output | PO | IF=50mA | -- | 2.1 | -- | mW |
| Forward Voltage | VF | IF=20mA | -- | 0.93 | -- | V |
| Forward Voltage | VF | IF=50mA | -- | 1.05 | -- | V |
| Reverse Current | IR | VR=5V | -- | -- | 100 | μA |
| Peak Emission Wavelength | λp | IF=50mA | -- | 1550 | -- | nm |
| Spectral Line Half Width | Δλ | IF=50mA | -- | 100 | -- | nm |
| Half Intensity Beam Angle | Θ | IF=50mA | -- | ±60 | -- | deg |



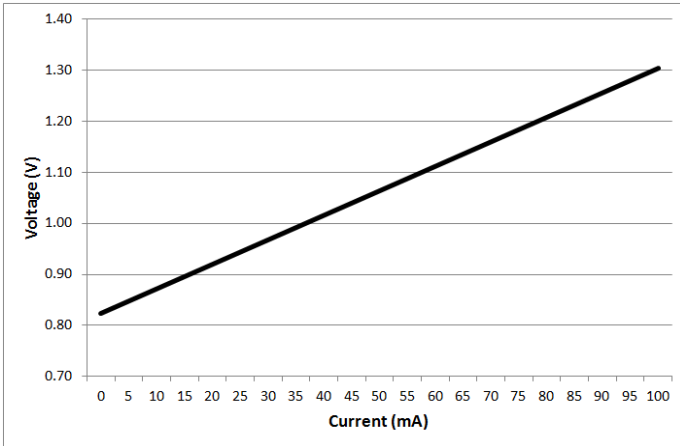
Unit: mm, Tolerance: ± 0.2



The information contained herein is subject to change without notice.

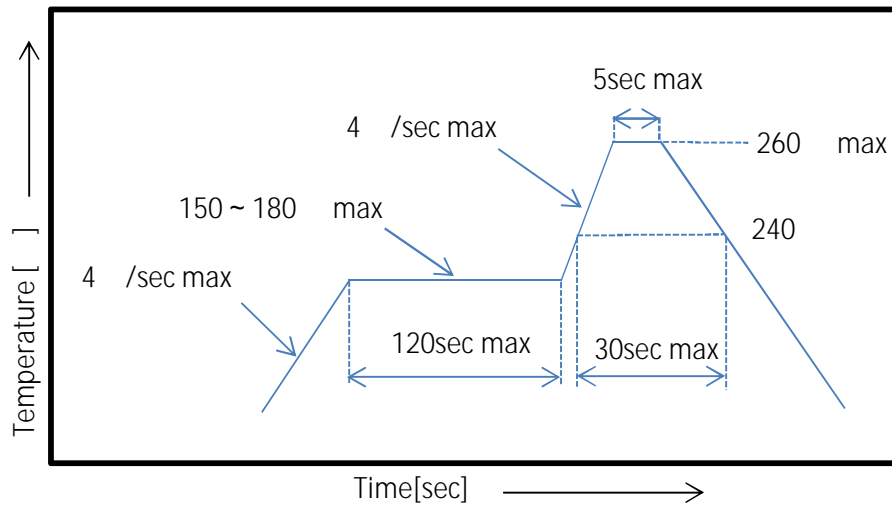
2024-10-11

FORWARD I-V CHARACTERISTICS



PLCC4 Surface Mount LED

Reflow Soldering Temperature-Profile [Pb free Soldering] (Recommend condition)



Recommended Soldering Pattern [mm]

